

NANOMAT Screwdrivers

The Screwdriver for your micro assemblies

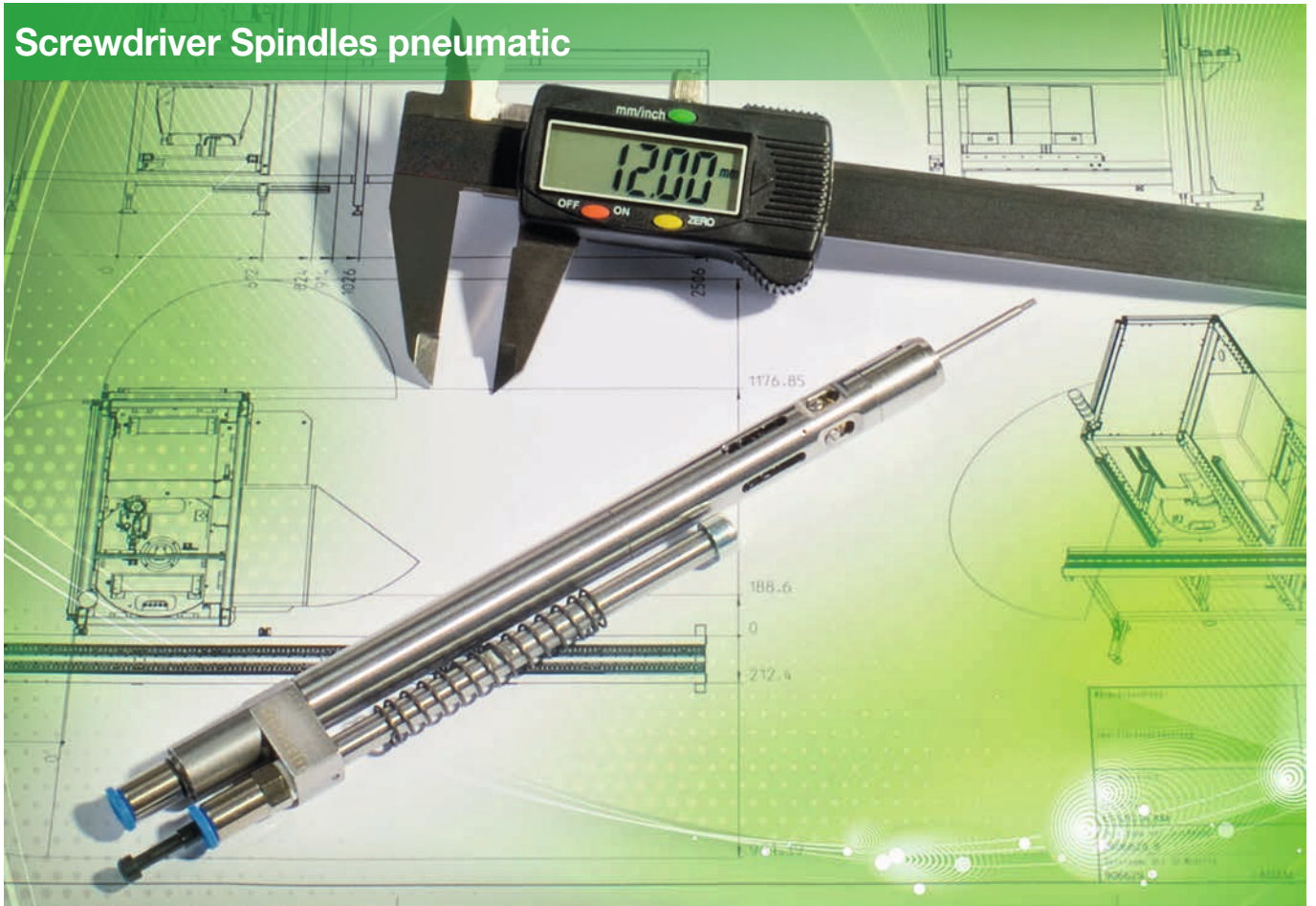
straight design - torque from 8 Nmm - 300 Nmm (1.14 in.oz to 42.6 in.oz)

- top precision shut-off clutch
- for small spaces
- long-life, robust

The particular strength of a NANOMAT screwdriver in straight design is that it can carry out screw assemblies with torque ranges of 8 Nmm to 300 Nmm.

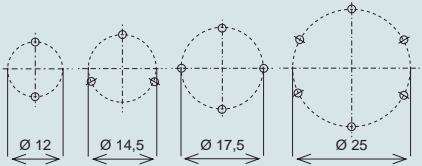
In these ranges you can not only assemble screws but also adjust them.

Screwdriver Spindles pneumatic



NANOMAT Screwdrivers

Smallest possible screwdriver spindle spacing:



The ergonomic NANOMAT screwdriver is extremely durable due to its extraordinary processing quality and design for heavy industrial use.

The NANOMAT clutch works with the tried and tested principle of a mechanical disengagement and shut-off clutch.

This extremely accurate shut-off clutch allows torque precision of $\leq 3\%$ standard deviation, which is maintained for millions of assemblies.

When used under the correct conditions DEPRAG pneumatic screwdrivers with shutoff clutch conform with a Cmk value of ≥ 1.67 with a tolerance requirement of 15% in relation to 6 Sigma according to ISO 5393.

In other words a Cmk value of 1.67 means that there is a failure rate of 0.6 per million screw assemblies.

The NANOMAT spindles can be easily integrated and are extremely small.

NANOMAT screwdrivers are available in right rotation, left rotation or reversible, with push to start or remote start option.

These tools can be used without lubrication: This should however only be done in specific applications. Using a tool without lubrication will decrease its lifespan.

ADVANTAGES

- **Accommodates standard bits type A3 according to DIN ISO 1173**
The advantage is the use of standard bits.
- **Integrated Quick Change Chuck**
Bit change without the use of tools, quickly and easily.
- **Externally adjustable clutch mechanism**
The torque can be adjusted quickly and conveniently without the need for special tools.

- **High precision shut-off clutch**
The high precision torque control is based on the long standing DEPRAG principle of mechanical disengagement and motor shut-off.
- **Standardised ultra slim design**
Only 12 mm diameter for the tightest screw CL distance in your stationary application.

- **Standard overall length**
All gearing versions and models are available in a single length for ease of integration.
- **Proven DEPRAG guide bolt system**
Optimised end-load pressure on the screw, via adjustable spring force.

APPLICATIONS



- Medical technology - assembly of hearing aids or cardiac pacemakers
- The watchmaking industry
- The optical industry - assembly of eyeglasses, lenses, photography equipment or microscopes
- Manufacture of small consumer electronic devices - Mobile phones, calculators, portable game consoles, Laptops and tablet PC's
- Precision engineering – gauges

TECHNICAL DATA

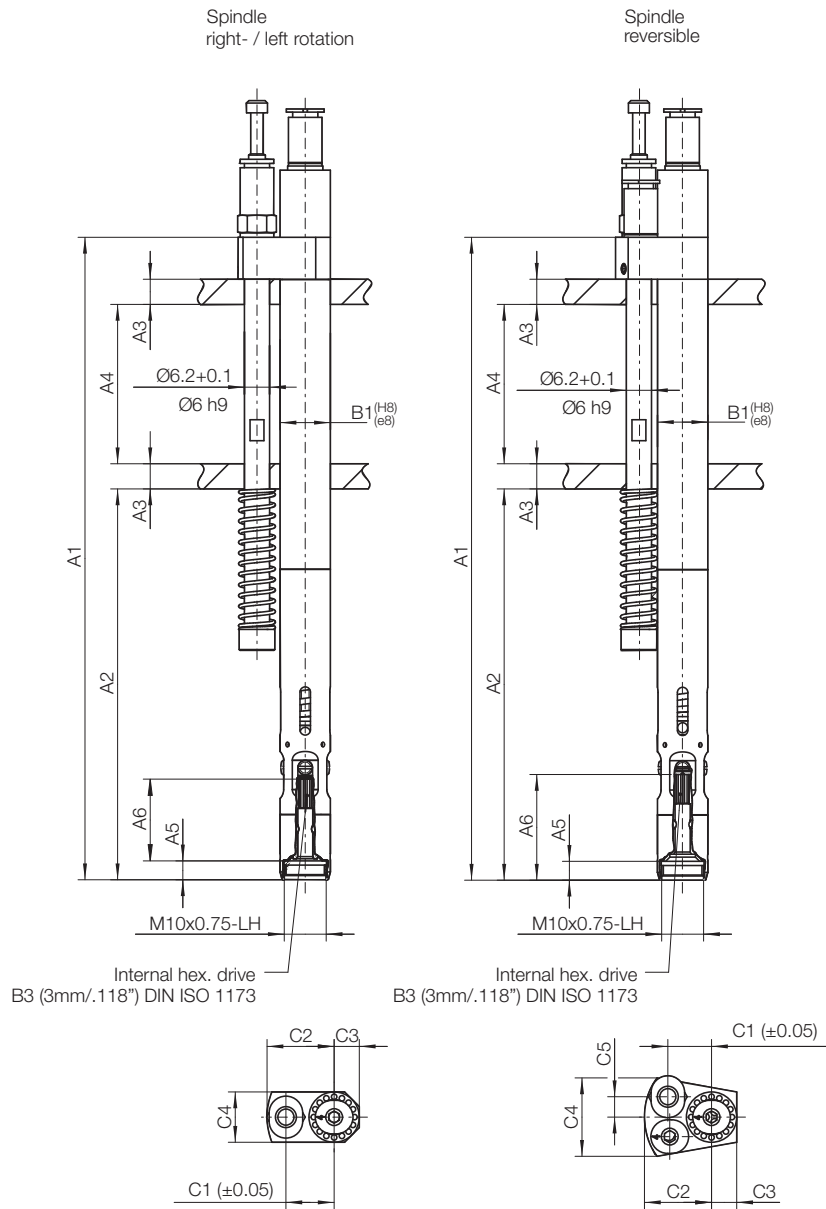
Screwdriver Style		Motor Size 00			
Spindle right rotation, right shut-off Push to Start	Type Part no.	345-3008-31 204000C	345-5008-31 204000E	345-6008-31 204000F	345-7008-31 204000G
Spindle left rotation, left shut-off Push to Start	Type Part no.	345-3008-31L 204001C	345-5008-31L 204001E	345-6008-31L 204001F	345-7008-31L 204001G
Spindle right rotation, right shut-off Remote Start	Type Part no.	345-3000-31 204004C	345-5000-31 204004E	345-6000-31 204004F	345-7000-31 204004G
Spindle left rotation, left shut-off Remote Start	Type Part no.	345-3000-31L 204005C	345-5000-31L 204005E	345-6000-31L 204005F	345-7000-31L 204005G
Torque min.	Ncm / in.oz	1 / 1.42	0.8 / 1.14	0.8 / 1.14	0.8 / 1.14
Torque max.	Ncm / in.oz	15 / 21.3	25 / 35.5	30 / 42.6	30 / 42.6
Speed, idling	rpm	1700	880	660	380
Air consumption	m ³ /min / cfm	0.1 / 3.5	0.1 / 3.5	0.1 / 3.5	0.1 / 3.5
Weight	kg / lbs	0.14 / 0.31	0.14 / 0.31	0.14 / 0.31	0.14 / 0.31
Push to Start pressure	N / lbs	3 / 0.67	3 / 0.67	3 / 0.67	3 / 0.67
Pressure at max. screwdriver stroke	N / lbs	20 / 4.48	20 / 4.48	20 / 4.48	20 / 4.48
Hose I.D. for air supply	mm / in.	2.5 / ³ / ₃₂	2.5 / ³ / ₃₂	2.5 / ³ / ₃₂	2.5 / ³ / ₃₂
Hose I.D. for function control	mm / in.	2.5 / ³ / ₃₂	2.5 / ³ / ₃₂	2.5 / ³ / ₃₂	2.5 / ³ / ₃₂
Internal hex. drive DIN ISO 1173		B3 (3 mm/.118")	B3 (3 mm/.118")	B3 (3 mm/.118")	B3 (3 mm/.118")
Suitable tool inserts and connecting components with a drive as per DIN ISO 1173		A3 (3 mm/.118")	A3 (3 mm/.118")	A3 (3 mm/.118")	A3 (3 mm/.118")
Spindle reversible, right shut-off, Push To Start for right rotation reverse by Remote Start	Type Part no.	345-3008-31U 204002C	345-5008-31U 204002E	345-6008-31U 204002F	345-7008-31U 204002G
Spindle reversible, left shut-off, Push To Start for left rotation reverse by Remote Start	Type Part no.	345-3008-31UL 204003C	345-5008-31UL 204003E	345-6008-31UL 204003F	345-7008-31UL 204003G
Spindle reversible, right shut-off, Remote Start in drive direction and in reverse	Type Part no.	345-3000-31U 204006C	345-5000-31U 204006E	345-6000-31U 204006F	345-7000-31U 204006G
Spindle reversible, left shut-off, Remote Start in drive direction and in reverse	Type Part no.	345-3000-31UL 204007C	345-5000-31UL 204007E	345-6000-31UL 204007F	345-7000-31UL 204007G
Torque min.	Ncm / in.oz	1 / 1.42	0.8 / 1.14	0.8 / 1.14	0.8 / 1.14
Torque max.	Ncm / in.oz	15 / 21.3	25 / 35.5	30 / 42.6	30 / 42.6
Speed, idling	rpm	1400	680	500	300
Air consumption	m ³ /min / cfm	0.1 / 3.5	0.1 / 3.5	0.1 / 3.5	0.1 / 3.5
Weight	kg / lbs	0.15 / 0.33	0.15 / 0.33	0.15 / 0.33	0.15 / 0.33
Push to Start pressure	N / lbs	3 / 0.67	3 / 0.67	3 / 0.67	3 / 0.67
Pressure at max. screwdriver stroke	N / lbs	20 / 4.48	20 / 4.48	20 / 4.48	20 / 4.48
Hose I.D. for air supply	mm / in.	2.5 / ³ / ₃₂	2.5 / ³ / ₃₂	2.5 / ³ / ₃₂	2.5 / ³ / ₃₂
Hose I.D. for function control	mm / in.	2.5 / ³ / ₃₂	2.5 / ³ / ₃₂	2.5 / ³ / ₃₂	2.5 / ³ / ₃₂
Internal hex. drive DIN ISO 1173		B3 (3 mm/.118")	B3 (3 mm/.118")	B3 (3 mm/.118")	B3 (3 mm/.118")
Suitable tool inserts and connecting components with a drive as per DIN ISO 1173		A3 (3 mm/.118")	A3 (3 mm/.118")	A3 (3 mm/.118")	A3 (3 mm/.118")

Performance data relate to an air pressure of 6.3 bar (90 PSI)

Included in delivery:

Nipple (mounted) · Torque adjustment tool · Assortment of clutch springs

DIMENSION SHEET



204835

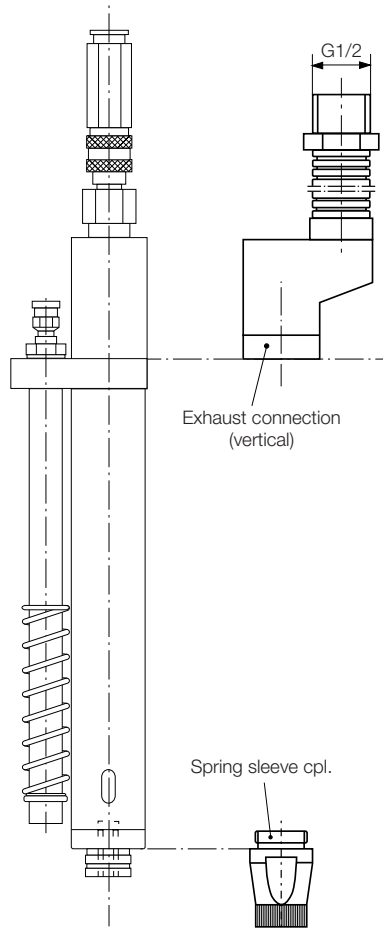
Motor Size 00

Type				Dimensions (mm)											
				A1	A2	A3	A4	A5	A6	B1	C1	C2	C3	C4	C5
Spindle right- / left rotation															
345-3008-31	345-3008-31L	345-3000-31	345-3000-31L	153.2	93.2	6	38	4.5	25.2	12	11.5	16	6	12	-
345-5008-31	345-5008-31L	345-5000-31	345-5000-31L												
345-6008-31	345-6008-31L	345-6000-31	345-6000-31L												
345-7008-31	345-7008-31L	345-7000-31	345-7000-31L												
Spindle reversible															
345-3008-31U	345-3008-31UL	345-3000-31U	345-3000-31UL	153.3	93.3	6	38	4.5	25.2	12	10.4	16	6	18.7	4.9
345-5008-31U	345-5008-31UL	345-5000-31U	345-5000-31UL												
345-6008-31U	345-6008-31UL	345-6000-31U	345-6000-31UL												
345-7008-31U	345-7008-31UL	345-7000-31U	345-7000-31UL												

OPTIONAL ACCESSORIES

Spring sleeve cpl., with vacuum connection (Custom screw finder sleeve and bit combinations upon request. Vacuum screw holding accessories available.)	Part no.	203860B
Exhaust connection vertical ¹⁾ , turnable	Part no.	386924L

¹⁾ for corresponding exhaust filter / silencer (see leaflet D3340E)





For the Netherlands

Zumpolle b.v.

Zumpolle B.V. • Valeton 14 • 5301 LW Zaltbommel • Tel: 0418671816

DEPRAG



CERTIFIED AS PER DIN EN ISO 9001