

ADAPTIVE
DIRECT
FASTENING

DEPRAG



This revolutionary tool is a true game changer for the industry!

ADAPTIVE DFS
DEPRAG FASTENING SYSTEM

Closed Loop

EC-Servo
screwdriving technology



EC-Servo
stroke technology



ADAPTIVE

The recognition of penetration is independent from tolerances in the fasteners and products. The process parameters will automatically adjust thus resulting in an optimized process.

Advantages:

- Highest process reliability
- Shortest possible cycle time
- Optimized funnel forming
- Avoids thread damages
- Less stress on fastener and product
- Reduces set-up time
- Designed for new materials, fasteners and joining methods

ADAPTIVE DFS

DEPRAG FASTENING SYSTEM

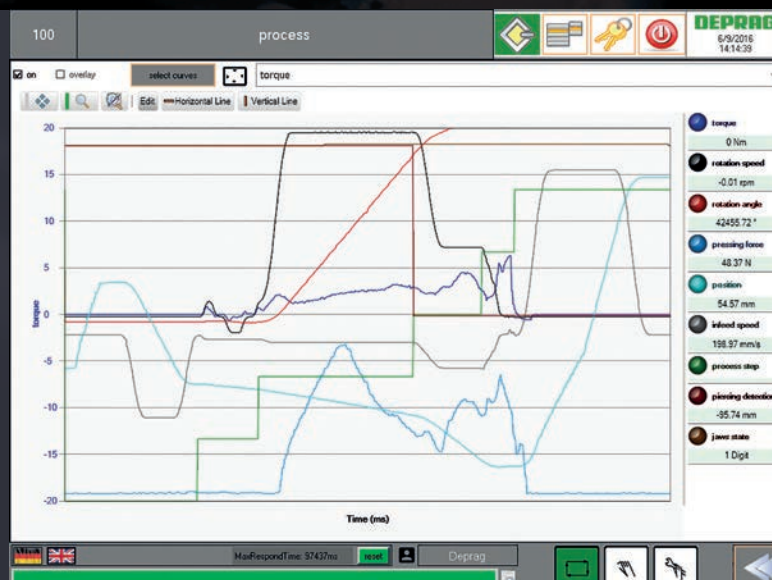
The new adaptive assembly unit ADAPTIVE DFS combines EC-Servo screwdriving technology with EC-Servo stroke technology

The constant data recorded by the control modules enable the precise- and automatic recognition of all relevant penetration points.

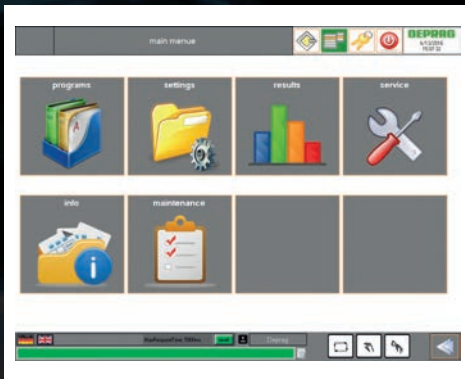
Time-critical- and essential parameter changes are autonomously performed by the fastening system. The system ensures the ideal processing parameter, independently from the tolerances of the product or fastener. It significantly reduces the effort of preliminary analysis and parameterization. Costly and extensive repair procedures that are caused by inaccurately formed holes, jammed screws or ruined threads are kept to a minimum.

The best possible processing-parameter that have been automatically adapted to suit any situation, guarantee that the parts to be connected (fastener and product), are subjected to the least amount of strain. The additionally captured processing-data allow an increased process documentation.

Separate electronic controls for the EC-Servo screwdriver and the EC-Servo stroke technology, in combination with the extensive parameterization possibilities, ensure the highest flexibility during the processing of multiple materials. The implementation of special tightening sequences for new fasteners and materials is possible. Especially for the assembly of future materials such as carbon-fiber and CFRP, the controlled feed stroke allows that exact positioning and trigger-points are clearly defined.

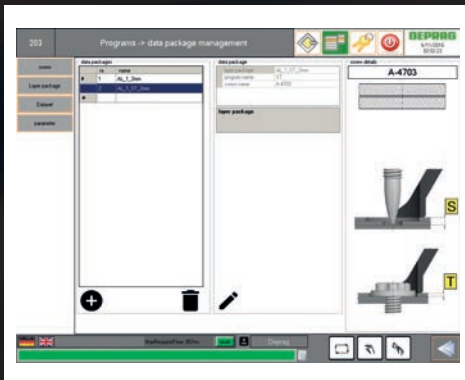


ADAPTIVE DFS Software



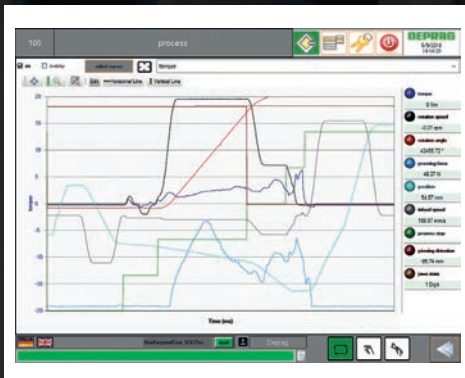
HMI main menu

- Intuitive operator guidance
- Extensive functions



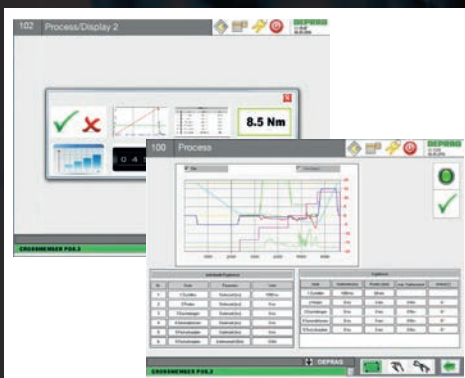
Programs

- Unlimited parameterization of assembly sequences, fasteners and materials
- Archiving of assembly sequences
- Unlimited data storage



Results and data management

- Graph overlaying for trend analysis
- Archiving of parameters and results

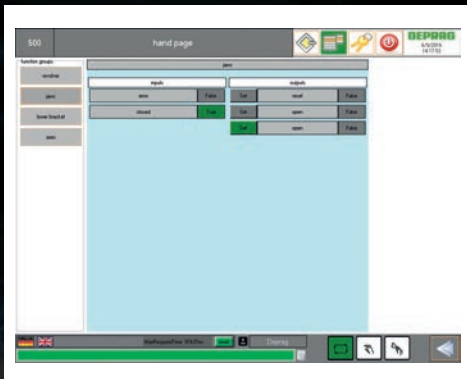


Customized results display

- Generate your very own results data screen

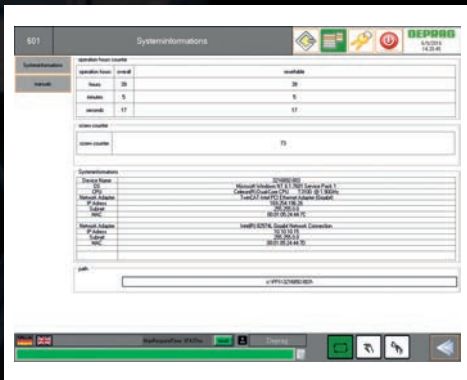
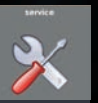
ADAPTIVE DFS

DEPRAG FASTENING SYSTEM



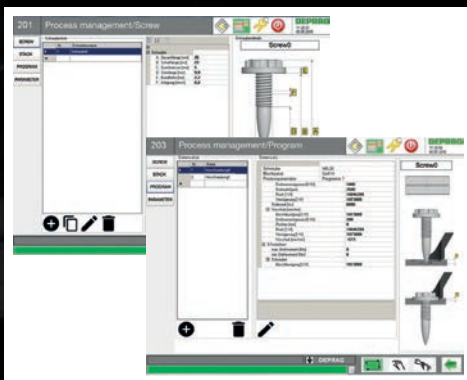
Service

- Test of function modules
- Test of system status
- I/O test



Info

- System data
- Manuals



Settings

- User administration
- 13 languages
- System settings



Attention: Preset cycles reached
▶ Check socket for wear,
exchange if needed



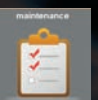
Attention: Preset cycles reached
▶ Clean mouthpiece and
nosepiece jaws



Attention: Preset cycles reached
▶ Inspect timing belt,
exchange if wear is visible

Maintenance

- Preset preventive maintenance operations
- Generate your own preventive maintenance operations



ADAPTIVE DFS Features

EC-Servo screwdriving technology

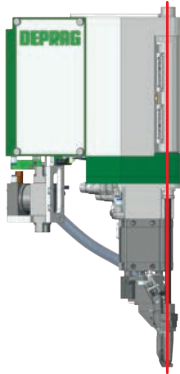


EC-Servo stroke technology



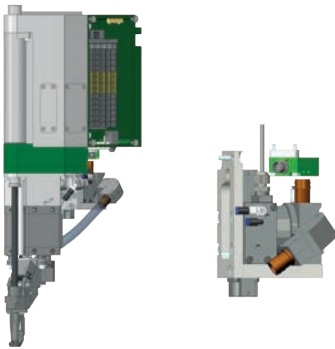
Adaptive fastening

- Automated adjustment of parameters
- Highest process security
- Shortest possible cycle time



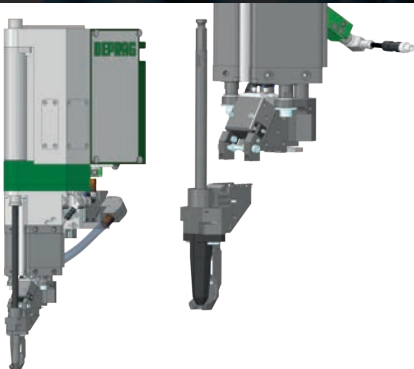
Thrust applied to the center of the assembly axis

- Direct transfer of thrust into the assembly axis
- No lateral forces on guide mechanism, etc.
- Lightweight design
- Less wear and tear



„Head first“ feeding principle

- No damage to the screws' tip and threads
- Screw preload function (buffer) optimizes the cycle time



Interchangeable mouthpiece without tools

- No need to disconnect any cables or hoses
- 1. Push release button
- 2. Pull off mouthpiece

ADAPTIVE DFS

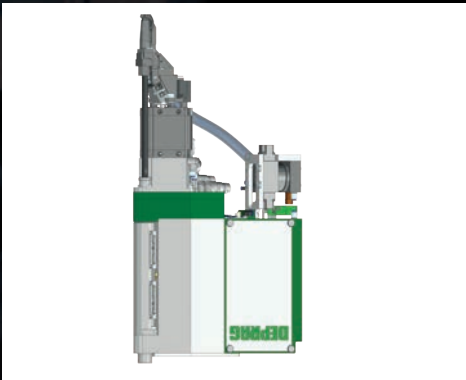
DEPRAG FASTENING SYSTEM



Actively controlled jaws

Cylinder activated jaws

- Perfect alignment of screw
- Less wear and tear



Lock stroke for underneath applications

- Socket automatically moves behind the fastener and keeps it in position



Connection to robot

- From top
- From backside



Feeding technology

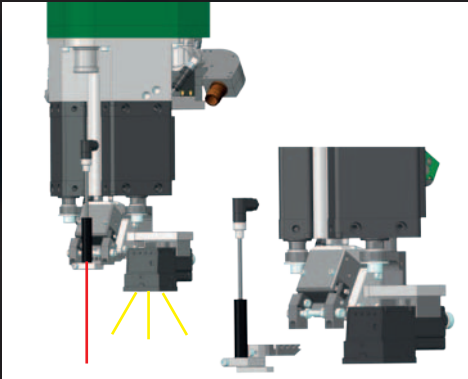
- Blow feeding
- On-board magazine

ADAPTIVE DFS Features



Support tools to assist during commissioning

- Tripod, adjustable: support manual alignment procedures, i.e. on curved surfaces
- Mounts to quick-change chuck
- Documentation of assembly space and position possible through camera



Support tools to assist during commissioning

- Laser pointer for fast and precise teach in process, laser mounts to quick-change chuck
- Vision system with cross lines
- Documentation of assembly space and position possible through camera

Technical data

- Speed: max. 8000 rpm
- Torque: max. 15 Nm
- Feed stroke force: max. 3500 N, freely programmable
- Feed stroke freely programmable: Speed, distance and force monitoring and controlling
- Downholder force: max. 1200 N, freely programmable
- Weight: 35 kg
- Assembly directions: any (from above, underneath, at any angle)



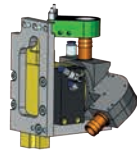
ADAPTIVE DFS

DEPRAG FASTENING SYSTEM

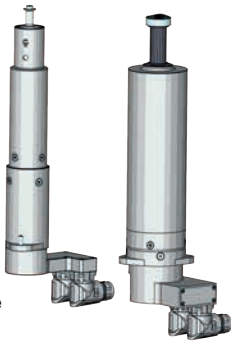
Housing with feed stroke module



Controls module

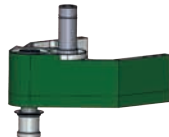


Separator

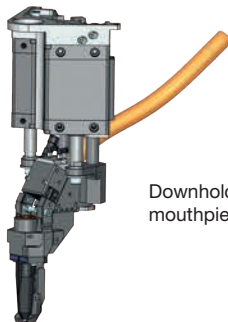


Feed stroke motor

Screwdriving motor



Belt drive



Downholder incl. mouthpiece



Socket

Maintenance friendly

- Modular design
- Trending information at the HMI
- Recording, analyzing and displaying of load results and data
- Quick-change connectors for all media
- Quick-change adapters for many robot brands and models

ADAPTIVE DFS Integration

Interface ADAPTIVE DFS ↔ Robot	
PLC - Input / Robot - Output	
Combinator 1	Combinator 2
Combinator 3	Combinator 4
Combinator 5	Combinator 6
Combinator 7	Combinator 8
Combinator 9	Combinator 10
Combinator 11	Combinator 12
Combinator 13	Combinator 14
Combinator 15	Combinator 16
Combinator 17	Combinator 18
Combinator 19	Combinator 20
Combinator 21	Combinator 22
Combinator 23	Combinator 24
Combinator 25	Combinator 26
Combinator 27	Combinator 28
Combinator 29	Combinator 30
Combinator 31	Combinator 32
Combinator 33	Combinator 34
Combinator 35	Combinator 36
Combinator 37	Combinator 38
Combinator 39	Combinator 40
Combinator 41	Combinator 42
Combinator 43	Combinator 44
Combinator 45	Combinator 46
Combinator 47	Combinator 48
Combinator 49	Combinator 50
Combinator 51	Combinator 52
Combinator 53	Combinator 54
Combinator 55	Combinator 56
Combinator 57	Combinator 58
Combinator 59	Combinator 60
Combinator 61	Combinator 62
Combinator 63	Combinator 64
Combinator 65	Combinator 66
Combinator 67	Combinator 68
Combinator 69	Combinator 70
Combinator 71	Combinator 72
Combinator 73	Combinator 74
Combinator 75	Combinator 76
Combinator 77	Combinator 78
Combinator 79	Combinator 80
Combinator 81	Combinator 82
Combinator 83	Combinator 84
Combinator 85	Combinator 86
Combinator 87	Combinator 88
Combinator 89	Combinator 90
Combinator 91	Combinator 92
Combinator 93	Combinator 94
Combinator 95	Combinator 96
Combinator 97	Combinator 98
Combinator 99	Combinator 100

Hand shake with robot

- Communication via bus or I/O
- External access to individual process steps, i.e. the screw feeding process
- Extensive data exchange available



Media management

- Quick-change connectors on the ADAPTIVE DFS
- Customized cable configuration



Feeding technology

- Sword feeder
- Vibration bowl feeder of the new generation eacy feed
Both options operate independent of power supply (110-240V, 50-60Hz) for international use without adjustment.
- Belt hopper with up to 20l fill capacity



DPU200

The DPU200 is the most efficient controller of the DPU series. The controller has a 15" display with XGA resolution (1024 x 768 pixels) for optimized image visualization.

- Industrial PC
Operating system: Windows 7 Ultimate



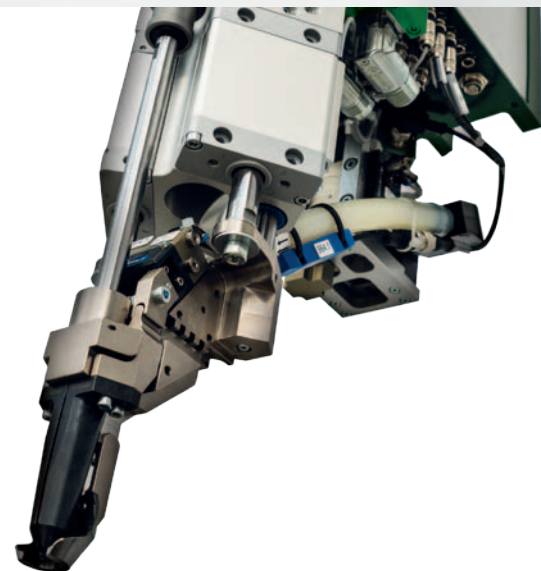
Control cabinet

- Operating voltage: 3/(N)/PE 400-480V, 50-60Hz



DEPRAG

Your worldwide partner for
screwdriving technology and
automation



For the Netherlands

Zumpolle b.v.

Zumpolle B.V. • Valeton 14 • 5301 LW Zaltbommel • Tel: 0418671816